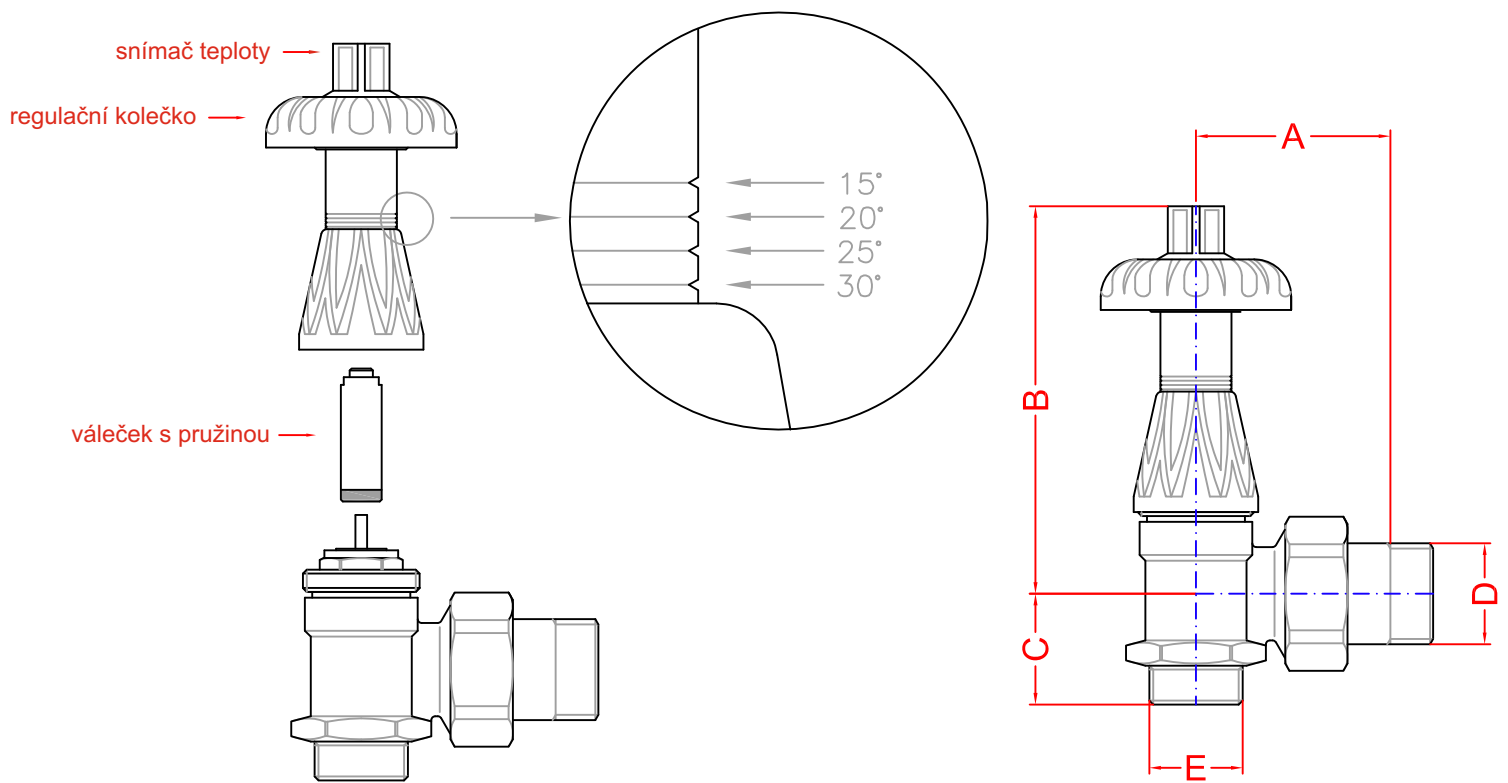


Technical Datasheet | Technické údaje

Valve ArtDeco Thermo | Ventil ArtDeco Thermo



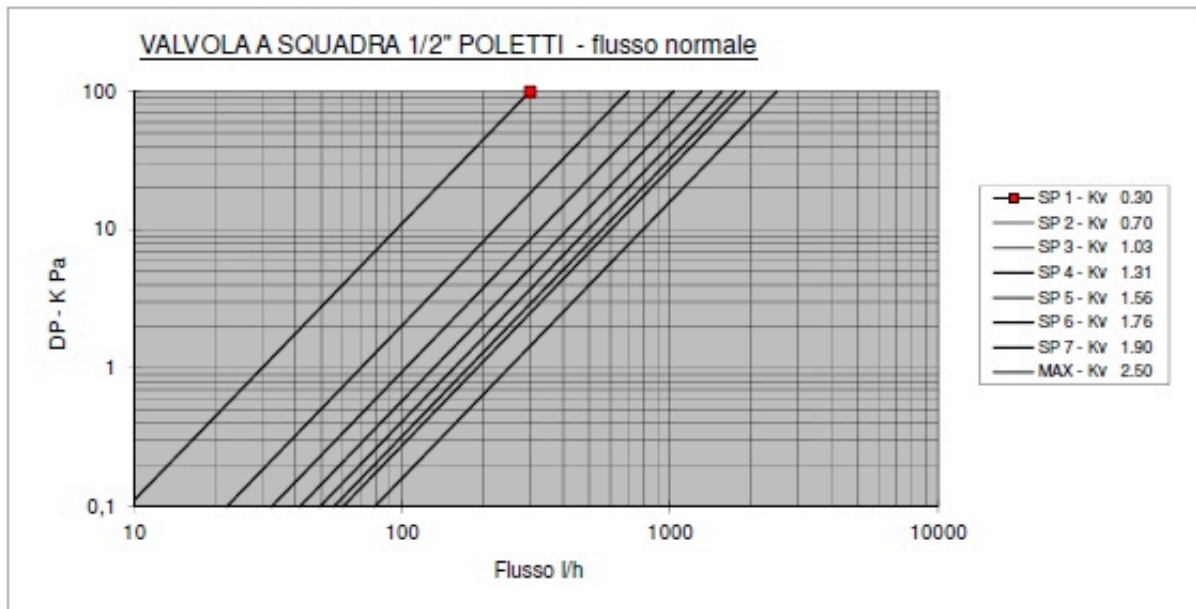
General parameters Základní parametry	
Max. working pressure	10 bar
Max. working temperature	100°C
Body material	brass EN 12165-CW617N
Connection	cooper or plastic pipes



codice code	D	A	B	C	E
VLADTH	1/2"	53	100	28	1/2" F

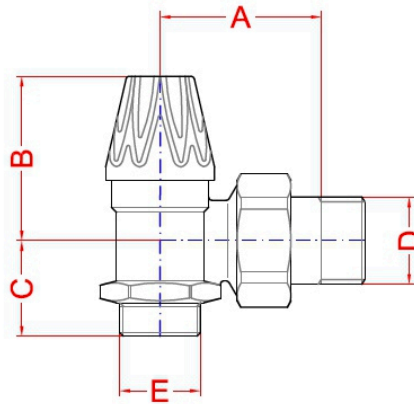
PD diagram for ArtDeco valve Thermo

FLUSSO NORMALE Normal flow													
set-point	1	2	3	4	5	6	7	max				DP	rad. DP
0.1K Pa l/h	9,48	22,12	32,548	41,396	49,296	55,616	60,04	79				0,1	31,6
10K Pa l/h	300	700	1030	1310	1560	1760	1900	2500				100	1000
Kv	0,3	0,7	1,03	1,31	1,56	1,76	1,9	2,5					



Technical Datasheet | Technické údaje
Return valve ArtDeco | Zpětný ventil ArtDeco


General parameters Základní parametry	
Max. working pressure	10 bar
Max. working temperature	100°C
Body material	brass EN 12165-CW617N
Connection	cooper or plastic pipes



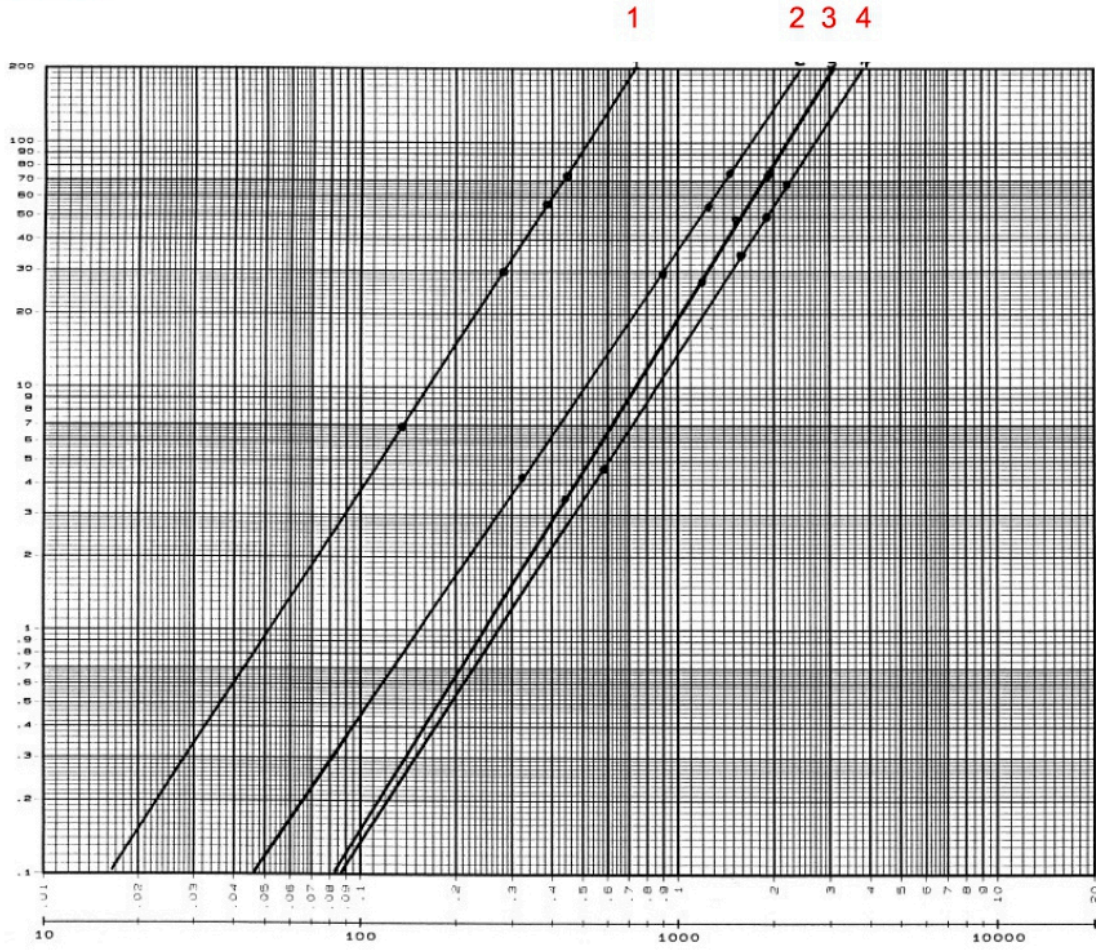
Codice	D	A	B	C	E
VLAD	1/2"	55	49	28.5	24-19

Technical features

Identification	number of spindle turn	Kv
Square valve	1/2"	0.51
	1	1.69
	1 1/2"	2.20
	open	2.70

PD diagram for ArtDeco valve

PD (kpa)



(mc / h)
(l / h)